

CFast (YSCS)

Feature

- Interface: SATA3.0(6Gb/s)
- Low-Density Parity-Check (LDPC) Code
- Global Wear Leveling
- Flash bad-block management
- Flash Translation Layer: Page Mapping
- Support S.M.A.R.T.
- Support TRIM

Yansen CFast YSCS-X-XXX, featured as small form factor, can be configured as a boot device or data storage and is suitable for most industrial application. With MLC/SLC NAND Flash and LDPC ECC, prov

This is a watermark for the trial version, register to get the full one!

Yansen CFast YSCS-X-XXX is designed for industrial field, and support ... and ... feature ... including

Benefits for registered users:

- 1.No watermark on the output documents.
- 2.Can operate scanned PDF files via OCR.
- 3.No page quantity limitations for converted PDF files.

Remove Watermark Now



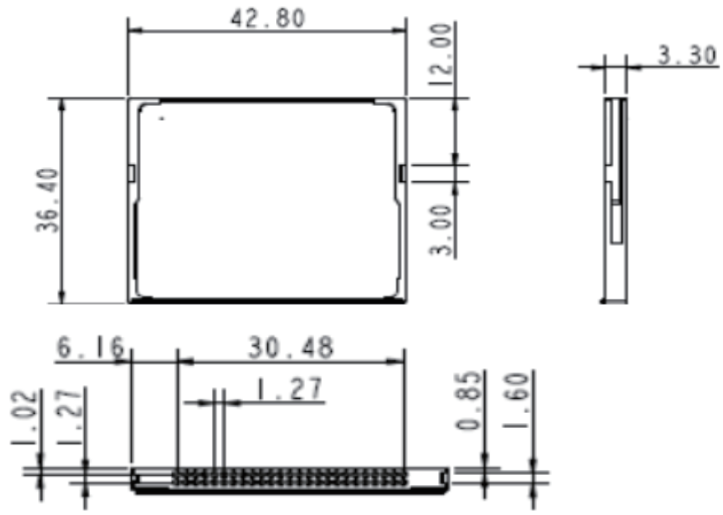
Tell:+86-755-2698 5379
Fax: +86-755-26985365
Email: info@yansen-ssd.com

After-sales Service:
Tel: 400-7799-711
Email: support@yansen-ssd.com

Office: Room 1501-1503, Jinxiu Hongdu Building, at Meilong Road and Bulong Road in Minzhi Street, Long Hua District, Shenzhen, Guangdong, China. Zip Code: 518131

Factory: Factory:3rd/F.,E Block|Yalitong Ind. Park| Tangxia,Dongguan, Guangdong,China, 523710

YSUDH SERIES



Specifications

YSCS-X-XXX	
Flash Type	MLC/TLC
Capacity	8GB~512GB
Sequential Read (MAX)	Up to 500MB/s
Sequential Write (MAX)	Up to 300MB/s

4K Random Read 18500 IOPS

4K Random Write 19100 IOPS

Operating Temperature -20°C ~ 70°C, -40°C ~ 85°C

Storage Temperature -55°C ~ +95°C

Humidity 5%~95% RH (non-condensing)

Power Consumption (MAX) 1.5W

Dimensions L42.8mm*W36.4mm*H3.3mm ±0.15mm

MTBF 2 million hours

Operating Voltage DC 3.3V±5%

This is a watermark for the trial version, register to get the full one!

Benefits for registered users:

- 1.No watermark on the output documents.
- 2.Can operate scanned PDF files via OCR.
- 3.No page quantity limitations for converted PDF files.

[Remove Watermark Now](#)

Order Information

	Temperature	8GB	16GB	32GB	
YSUDH-S-XXX	-20°C ~ 75°C	YSUDH-S-008 (Enhance Series)	YSUDH-S-016 (Enhance Series)	YSUDH-S-032 (Enhance Series)	
	-40°C ~ 85°C	YSUDH-S-008 (Extreme Series)	YSUDH-S-016 (Extreme Series)	YSUDH-S-032 (Extreme Series)	
	Temperature	8GB	16GB	32GB	64GB
YSUDH-M-XXX	-20°C ~ 75°C	YSUDH-M-008 (Enhance Series)	YSUDH-M-016 (Enhance Series)	YSUDH-M-032 (Enhance Series)	YSUDH-M-064 (Enhance Series)
	-40°C ~ 85°C	YSUDH-M-008 (Extreme Series)	YSUDH-M-016 (Extreme Series)	YSUDH-M-032 (Extreme Series)	YSUDH-M-064 (Extreme Series)