

PATA (YSP600E)

Feature

- Interface: PATA 44PIN, ATA-7 (133MBps)
- Low-Density Parity-Check (LDPC) Code
- Global Wear Leveling
- Flash bad-block management
- Flash Translation Layer: Page Mapping
- Support S.M.A.R.T.
- Support TRIM
- Power Loss Protection PLP

The YSP600E-X-XXX SSD is the 2.5" PATA drive based on an advanced industrial flash memory technology. It has a tough outer metal case, high reliability and anti-shock features that make it ideal to replace user loose important data.

This is a watermark for the trial version, register to get the full one!

Benefits for registered users:

- 1.No watermark on the output documents.
- 2.Can operate scanned PDF files via OCR.
- 3.No page quantity limitations for converted PDF files.

Remove Watermark Now



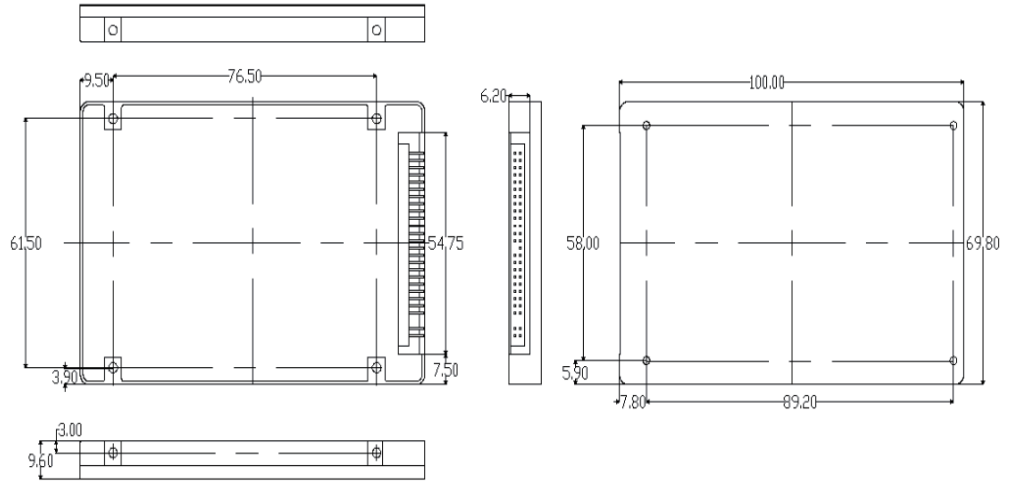
Tell:+86-755-2698 5379
Fax: +86-755-26985365
Email: info@yansen-ssd.com

After-sales Service:
Tel: 400-7799-711
Email: support@yansen-ssd.com

Office: Room 1501-1503, Jinxiu Hongdu Building, at Meilong Road and Bulong Road in Minzhi Street, Long Hua District, Shenzhen, Guangdong, China. Zip Code: 518131

Factory: Factory:3rd/F.,E Block|Yalitong Ind. Park| Tangxia,Dongguan, Guangdong,China, 523710

YSP600E SERIES



Specifications

| YSP600E-X-XXX | |
|------------------------|---------------|
| Flash Type | SLC/MLC |
| Capacity | 8GB~128GB |
| Sequential Read (MAX) | Up to 125MB/s |
| Sequential Write (MAX) | Up to 100MB/s |

4K Random Read 2500 IOPS
 4K Random Write 500 IOPS
 Operating Temperature -20°C ~ 70°C, -40°C ~ 85°C
 Storage Temperature -55°C ~ +95°C

This is a watermark for the trial version, register to get the full one!

Benefits for registered users:

- 1.No watermark on the output documents.
- 2.Can operate scanned PDF files via OCR.
- 3.No page quantity limitations for converted PDF files.

Remove Watermark Now

Operating Voltage DC 5V±5%

| | |
|-------------------------|-------------------------------|
| Power Consumption (MAX) | 1.6W |
| Dimensions | L100mm*W69.8mm*H9.6mm ±0.15mm |
| MTBF | 2 million hours |

Order Information

| | Temperature | 8GB | 16GB | 32GB | 64GB |
|---------------|--------------|--------------------------------|--------------------------------|--------------------------------|--------------------------------|
| YSP600E-S-XXX | -20°C ~ 75°C | YSP600E-S-008 (Enhance Series) | YSP600E-S-016 (Enhance Series) | YSP600E-S-032 (Enhance Series) | YSP600E-S-064 (Enhance Series) |
| | -40°C ~ 85°C | YSP600E-S-008 (Extreme Series) | YSP600E-S-016 (Extreme Series) | YSP600E-S-032 (Extreme Series) | YSP600E-S-064 (Extreme Series) |
| | Temperature | 16GB | 32GB | 64GB | 128GB |
| YSP600E-M-XXX | -20°C ~ 75°C | YSP600E-M-016 (Enhance Series) | YSP600E-M-032 (Enhance Series) | YSP600E-M-064 (Enhance Series) | YSP600E-M-128 (Enhance Series) |
| | -40°C ~ 85°C | YSP600E-M-016 (Extreme Series) | YSP600E-M-032 (Extreme Series) | YSP600E-M-064 (Extreme Series) | YSP600E-M-128 (Extreme Series) |